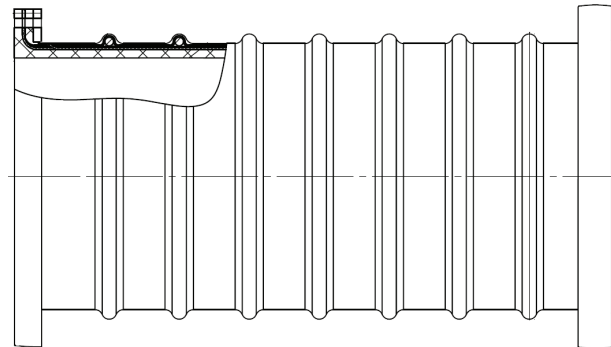


TYPE IR02 - GIMBAL TYPE DREDGING HOSE



TEMP. RANGE:	- 30°C + 80°C.
ELECTRICAL CONTINUITY:	N/A
LINING:	Natural Rubber (NR) - 40Shore
REINFORCEMENT:	High Tenacity Polyester Tyre Cord. Separate Steel Rings
COVER:	Smooth Black CR. Abrasion and Weather Resistant Rubber.
WORKING PRESSURE:	3 Bar
BURST PRESSURE:	9 Bar
VACUUM PRESSURE:	-0.85 Bar
TEST PRESSURE:	4.5 Bar for 5min (PED Certificate)
BRAND:	As per customer request
END DETAILS:	Vulcanized Integral Type Flanges

ARTICLE	ID	OD	TUBE THICKNESS	WALL THICKNESS	RINGS	MBR	WEIGHT	MAX. AVAILABLE LENGTH
	mm	mm	mm	mm	Dia / Pitch	mm	Kg/Mtr	Mtr.
IR02-254	254	297.6	7.0	21.8	12 / 75	1525	31	12
IR02-305	305	351.8	8.0	23.4	12 / 90	1825	40	12
IR02-356	356	408.0	10.0	26.0	15 / 100	2150	56	12
IR02-406	406	460.0	10.0	27.0	16 / 120	2450	70	12
IR02-508	508	566.0	12.0	29.0	20 / 175	3050	80	12
IR02-560	560	623.2	12.0	31.6	22 / 175	3350	92	12
IR02-610	610	682.6	14.0	36.3	24 / 180	3650	138	12
IR02-710	710	782.6	14.0	36.3	28 / 210	4250	165	12

Benefits:

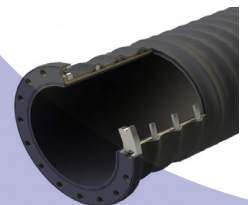
- Assemblies are available with integral flanges to allow for high pressure applications.
- Branding Options available on request.
- Available in lengths up to 12 metres.

Delivery Options:

- 4" to 8" Hoses can be shipped in coils on pallets.
- 10" Assemblies and above can only be shipped in straight lengths, crated or loose in a curtain sided trailer of a 40ft container.

Additional Information:

- Hoses are built to individual specifications and application.
- If other specifications are needed, a customised technical datasheet will be created by our expert technical sales team.
- We have ISO 9001 accreditation and operate to the highest ethical standard.



Abcon Industrial Products Ltd (Part of PSB Industrial Products Group)
Manufacturers of CavMac Hose

CavMac Hose Building, Cavan Road, Cootehill, Co. Cavan, Rep. of Ireland

T: +353 (49) 555 2340, F:+353 (49) 555 2312 E: sales@cavmac.com

CavMac.com